

## SDR-HDR Up-converter

The standalone SDR to HDR up-converter converts an SDI signal in an SDR format into an HDR signal.

Unlike other typical Look Up Table (LUT) HDR type converters, which often generate videos with artificial colors and contrast, the Embrionix SDR to HDR solution uses an adaptive color and dynamic range rendering which results in a natural and aesthetic image. Therefore, you get much brighter contrast, and can perceive more details in the dark scenes.

Producers care about their content, we make sure that the artistic intent is preserved through the up-conversion process.



## KEY DIFFERENTIATING FACTORS

- ✓ Highest dynamic range
- ✓ Maximized image brightness in specular highlights
- ✓ Detailed blacks
- ✓ Adaptive rendering for constant results from one scene to another
- ✓ Natural results, no use of Look Up Table (LUT)

SDR (BT.1886/BT.709) ➤ HDR (BT.2100/BT.2020)



✓ PQ10

✓ HLG10

✓ S-log3

## SPECIFICATIONS

### System

Input: 3G SDI and HD-SDI

Output: 3G SDI and HD-SDI

### Power Supply

AC Mains Input: Auto ranging, 100-

240v AC, 50/60Hz

Output Voltage: 12V DC

Power

Consumption: <6 watts (typical)

### Physical

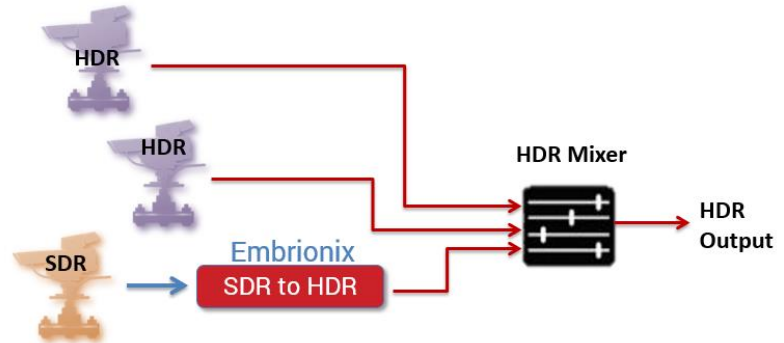
Dimensions: 26mm H x 45mm W x 75mm D

Operating

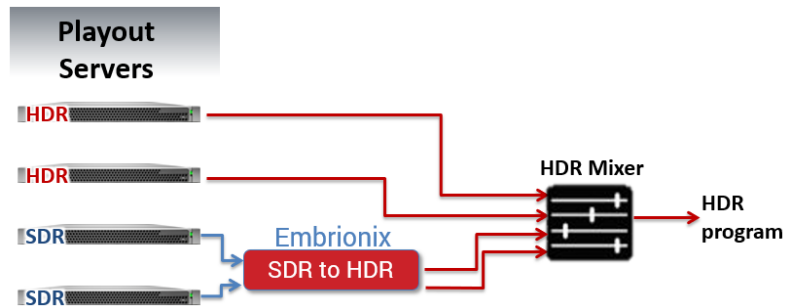
Temperature: 0°C to 45°C

## APPLICATIONS

### PRODUCTION: Mix of live SDR and HDR sources



### PLAYOUT: SDR insertion to an HDR program



For more information, please contact [sales@embrionix.com](mailto:sales@embrionix.com)

Embrionix™ logo is among the trademarks of Embrionix Design Inc. Any other trademarks or trade names mentioned are the property of their respective owners. Specifications are subject to change without notice.

[www.embrionix.com](http://www.embrionix.com)

Patent pending

[sales@embrionix.com](mailto:sales@embrionix.com)